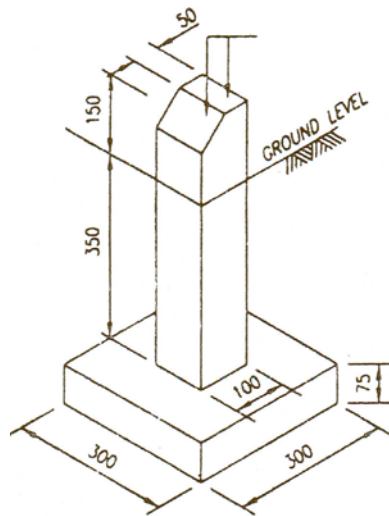


P.U. (A) 287.

FOURTH SCHEDULE
(Subregulation 25(2))
FIGURE 1
GOVERNMENT OF MALAYSIA
GAS SUPPLY ACT 1993
CONCRETE MARKER



REFER TO DET-L C

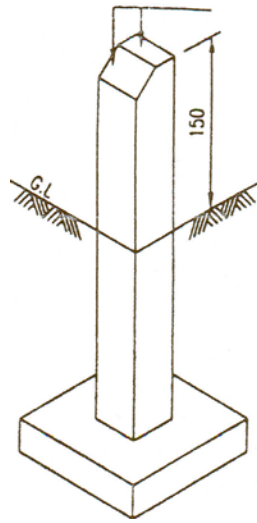
NOTES:

1. ALL DIMENSIONS ARE IN MM UNLESS OTHERWISE SPECIFIED.
2. THE CONCRETE MARKER WITH 300...M x 300" M x 75UU CONCRETE BASE. SHALL BE INSTALLED AT EVERY 50 METRES FOR STRAIGHT OR CURVED RUNS AND WHENEVER THERE IS TEE -OFF OR ABRUPT CHANGE IN DIRECTION.
3. THE COLOUR OF THE CONCRETE UARKER SHALL 8E YELLOW.
CODE - as NO.381 C309.
4. AT LEAST 150MM or CONCRETE "ARKER SHALL BE ABOVE GROUND.
5. A PROTECTIVE CONCRETE SLAB SHALL BE INSTALLED AT 300MM ABOVE THE PIPE FOR ROAD CROSSING (OPEN-CUT METHOD) AND ~ AND WHEN REQUIRED BY THE GAS COUPANY.

CONCRETE MARKER

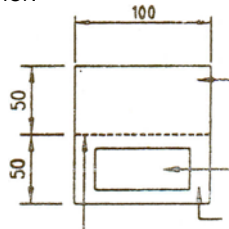
N.T.S

REFER TO DETAIL 'c'



CONCRETE MARKER BURIED IN GROUND
N.T.S

DIRECTION



50

